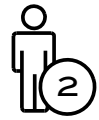


MOSS PROVIDES:

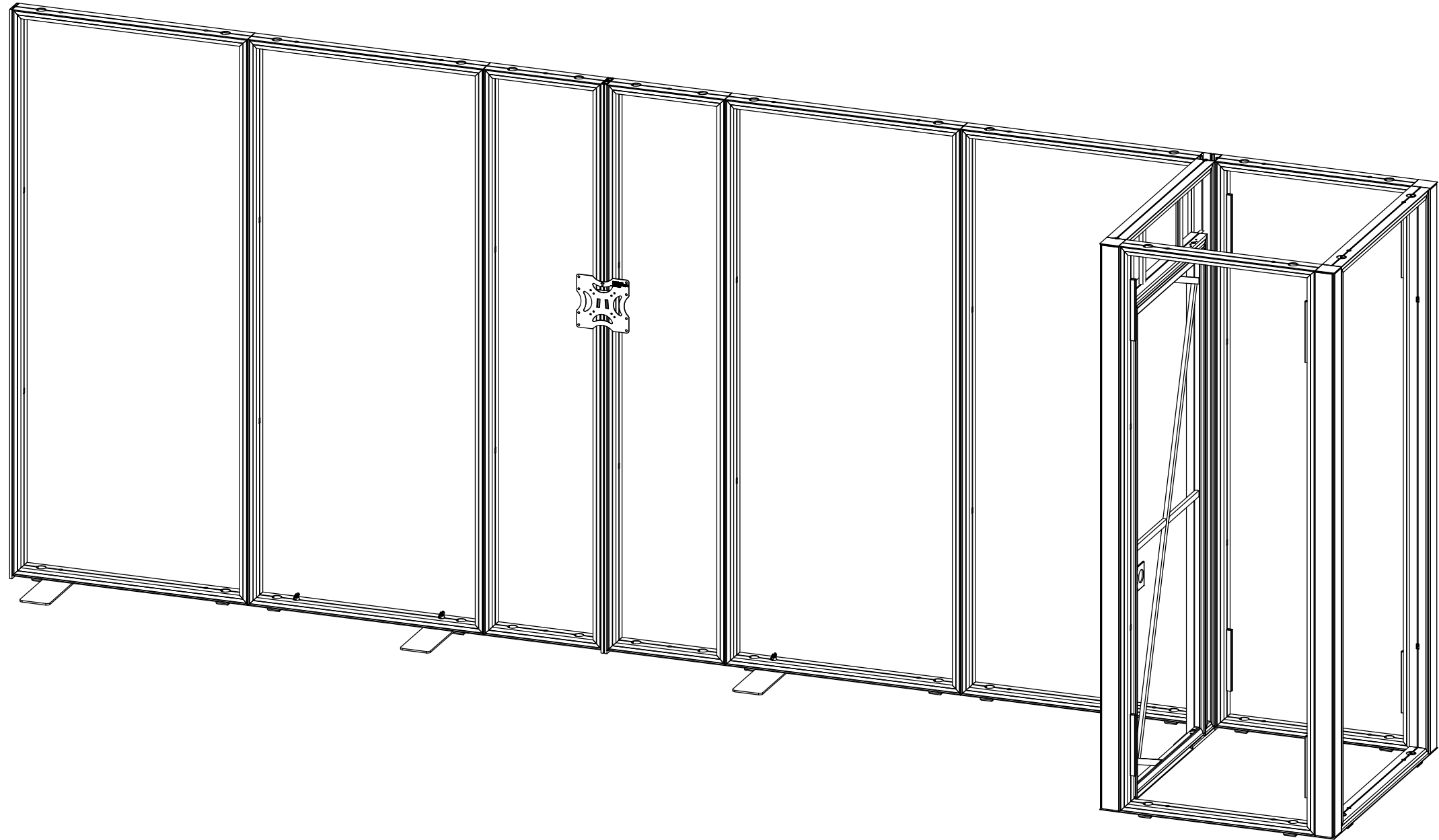
- Wrench
- Gloves
- Wash Cloth
- Plastic Drop Cloth


GENERAL INSTRUCTIONS:

- Wipe down all extrusion, clean work area and lay out plastic sheeting.
- Repack fabric neatly in the bag provided.

WARNING:

Hanging system and structure are designed for:
 (1) indoor use only and (2) to hold the weight of the structure and fabric cover only. No other loads should be applied to this display system.



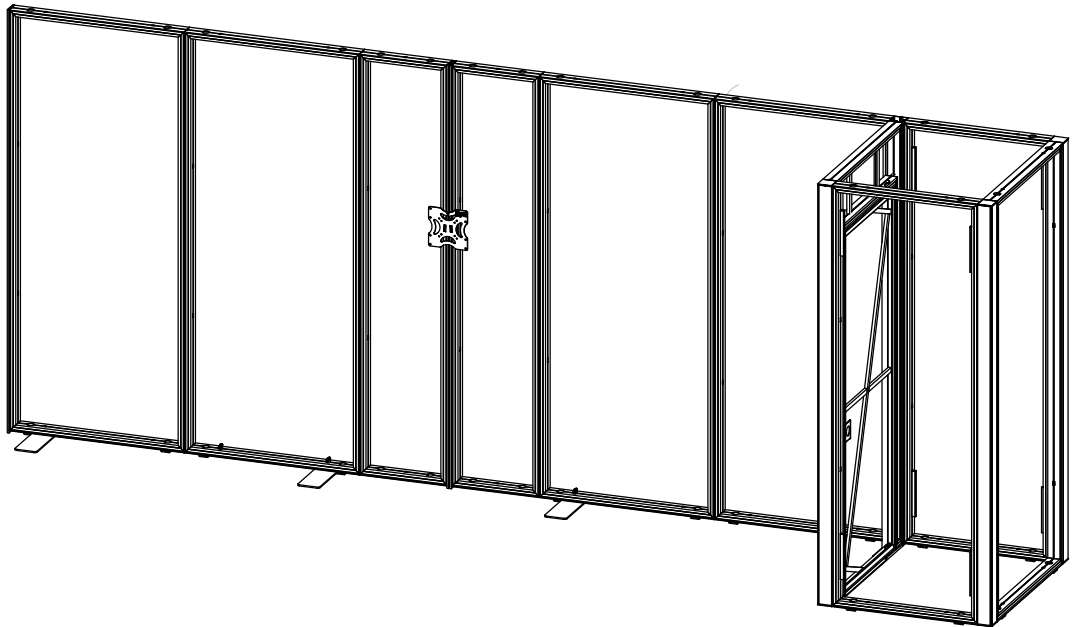
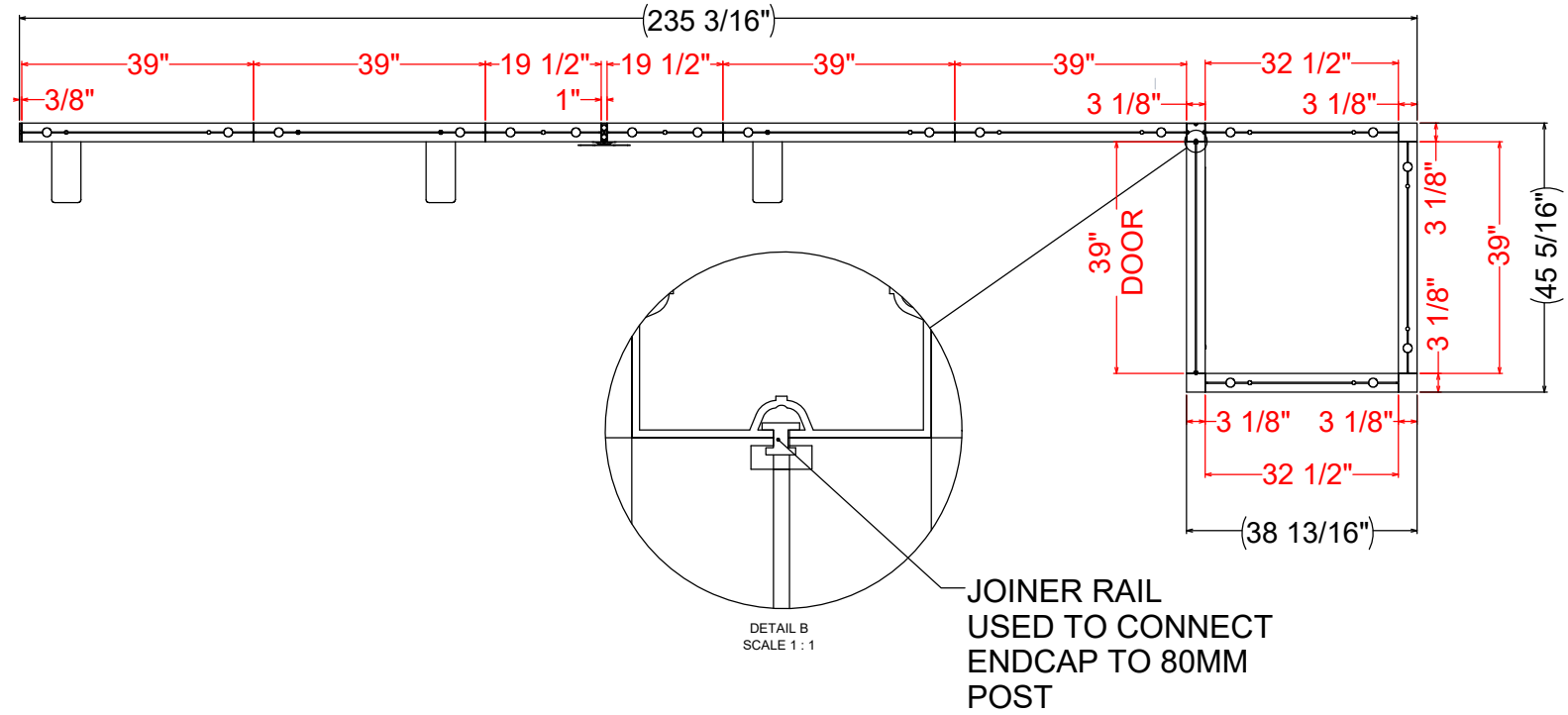
By signing the order acknowledgment or sending a confirmed purchase order, you are agreeing to the Moss Terms & Conditions found on our website here:

www.mossinc.com/terms-and-conditions

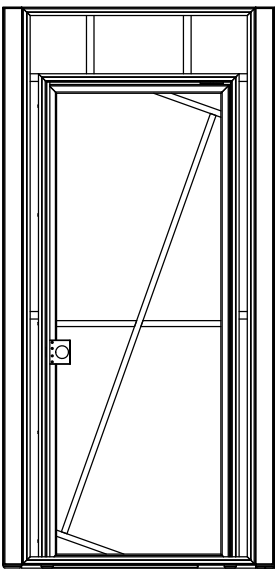
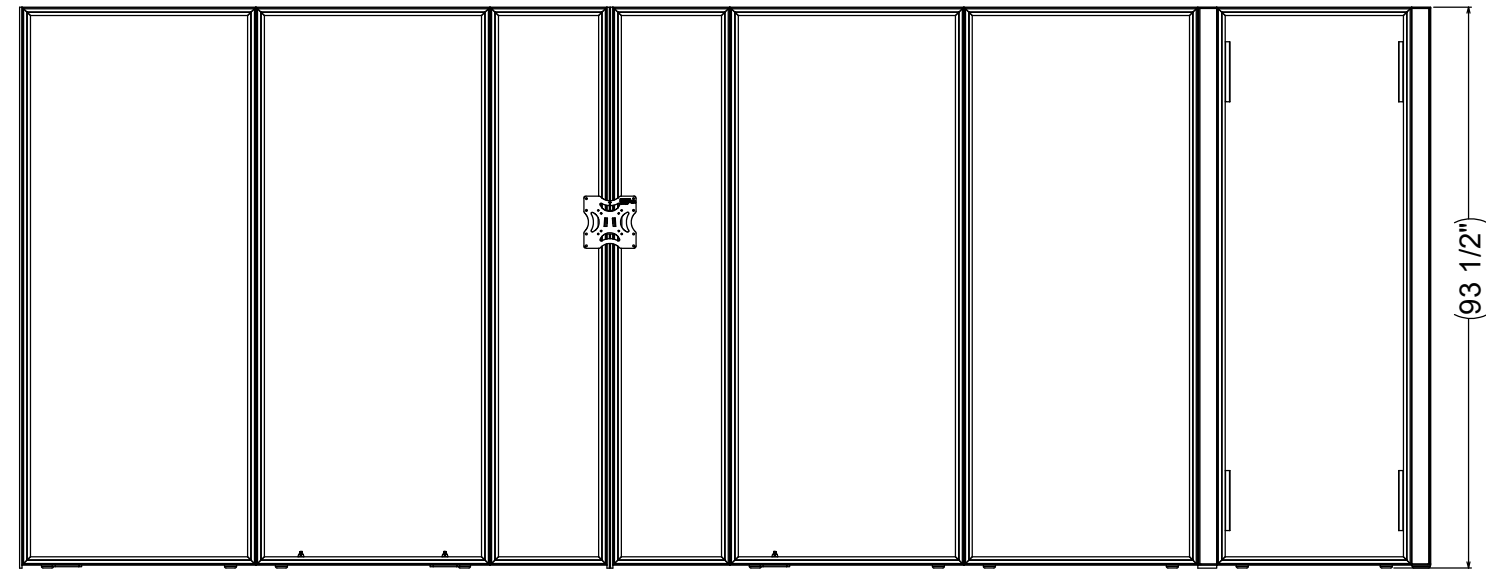
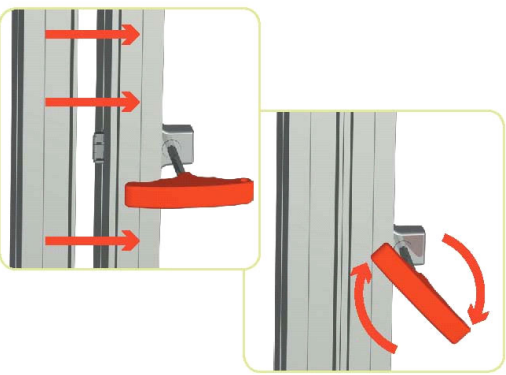
CLIENT: -	PROJECT MANAGER: -	DESIGNER: -	W.O.#: -
PROJECT: EZ WALL CONFIGURATIONS	W.O.DESCRPTION: STRAIGHT SHOOTER	CURRENT REVISION: 0	LINE ITEM #: -

MOSSINC.COM
 CONTACT US: (800) 341-1557
 AFTER HOURS: (877) 214-2986

DIMENSIONS



HOW TO JOIN WALLS TOGETHER



P/N	BOM Description	QTY.
N/A	EZ WALL FABRICS	6
4008107	39 X 93 WELDED EZ WALL	5
4009507	93.5 HIDDEN CORNER POST	3
4008126	340mm X 125mm BASEPLATE	3
4009526	EZ WALL ATTACHMENT STUD	3
N/A	WINGNUT	3
4008432	90in. JOINER RAIL	2
4008108	19.5 X 93 WELDED EZ WALL	2
4008109	32.5 X 93 WELDED EZ WALL	2
4008221	93.5 4-WAY CORNER COLUMN	1
4008096	RH FULL GRAPHIC DOOR	1
4008116	93.5 END CAP	1
4008114	93.5 LOW PROFILE ACCESSORY COLUMN	1
4005162	MONITOR MOUNT BRACKET	1

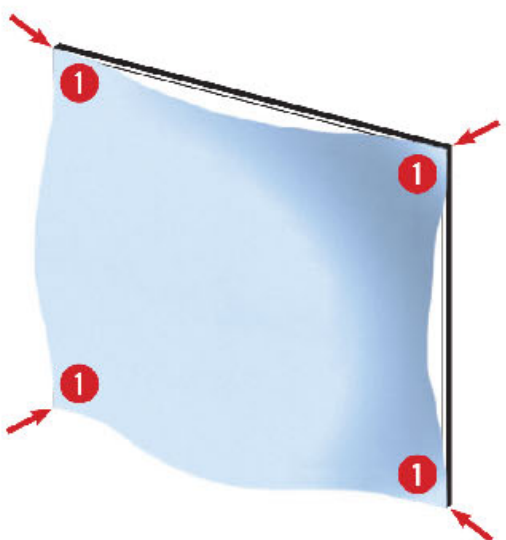
CLIENT: -	PROJECT MANAGER: -	DESIGNER: -	W.O.#: -
PROJECT: EZ WALL CONFIGURATIONS	W.O.DESCRPTION: STRAIGHT SHOOTER	CURRENT REVISION: 0	LINE ITEM #: -

MOSSINC.COM
CONTACT US: (800) 341-1557
AFTER HOURS: (877) 214-2986

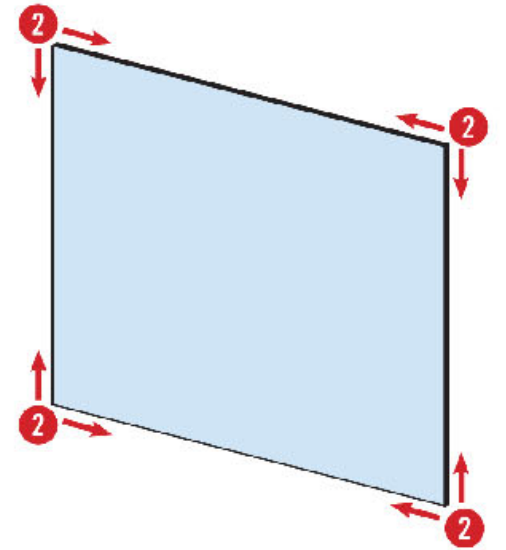
STEP 3

SEG FABRIC GRAPHICS INSTALLATION

1 Insert the gasket into only the corners of the frame.



2 **CRITICAL:** Start from each corner and work towards the center of the frame to evenly distribute the gasket in the frame channel.

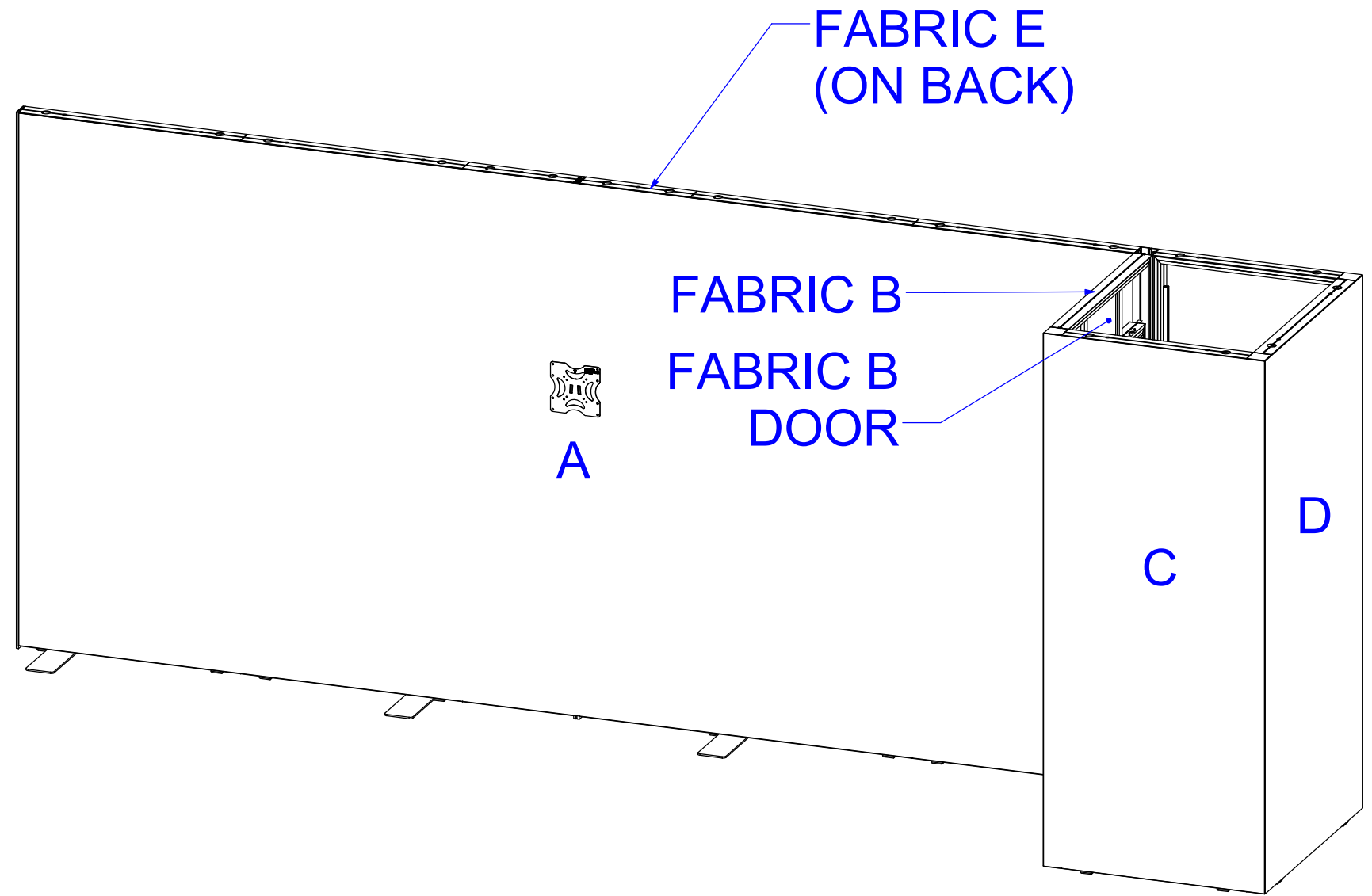


DO NOT start at one corner and work in one direction across the frame as this will stretch the gasket and bunch the fabric.

FABRIC HANDLING

- I Most fabrics can be folded. Loosely fold with image facing inward.
- I Follow general fabric care guidelines included with this shipment.
- I Store graphics in original shipping packaging.
- I Do not crush.

Wipe down frame. Lay down supplied plastic drop cloth. Put on supplied gloves. Carefully unpack fabric covers and lay face down on clean plastic drop cloth. Locate the fabric(s) and verify orientation. See fabric installation details to the left for best fit. If needed, hand steam to remove small wrinkles or creases.



CLIENT: -	PROJECT MANAGER: -	DESIGNER: -	W.O.#: -
PROJECT: EZ WALL CONFIGURATIONS	W.O.DESCRPTION: STRAIGHT SHOOTER	CURRENT REVISION: 0	LINE ITEM #: -

MOSSINC.COM
CONTACT US: (800) 341-1557
AFTER HOURS: (877) 214-2986